



PARINI
TECNOLOGIA CHE FA LA DIFFERENZA



CONVEYING **TECHNIQUES**

STORAGE CONVEYORS



PARINI
TECNOLOGIA CHE FA LA DIFFERENZA

The modern waste sorting plants allow to automate the process, reducing downtimes and productions costs.

The storage conveyors allow storing a certain amount of sorted material for a limited period of time, optimising the hourly production of the machines at the end of process (balers).

They consist of slow conveyors with 2.0-2.5 metre high sidewalls that receive the material from the sorting platforms or from sensor based sorters and, when full, empty its contents in the baler feeding conveyor.

There are belt conveyors for limited lengths, loads and storage volumes, and chain conveyors for more significant lengths, loads and storage volumes.

They can be equipped by the discharge side with an automatic door for higher volume capacity.

TAN storage belt conveyor



MAIN USE

Temporary accumulation and storage of sorted fractions of waste, (paper, cardboard, plastic, cans...)

- Sturdy modular construction in 4 mm thick pressformed metal sheet.
- Rubber belt sliding on roller diam 89-102.
- Oil resistant rubber belt EP400/3 4+2
The belt is supplied loop closed for conveyor length up to 12 m.
- 2000-2500 mm high sidewalls.
- Drive and idler drums diam. 320 mm (drive drum covered with vulcanized rubber).
- Widths 1200, 1400, 1600, 1800, 2000, 2400 mm.
- Lengths up to 20 m.

TAC storage chain conveyor



MAIN USE

Temporary accumulation and storage of sorted fractions at high specific weight, such as paper, magazines, pressed material.

They consist of 2 parallel chains on which 5/8 mm thick sheet metal slats are bolted.

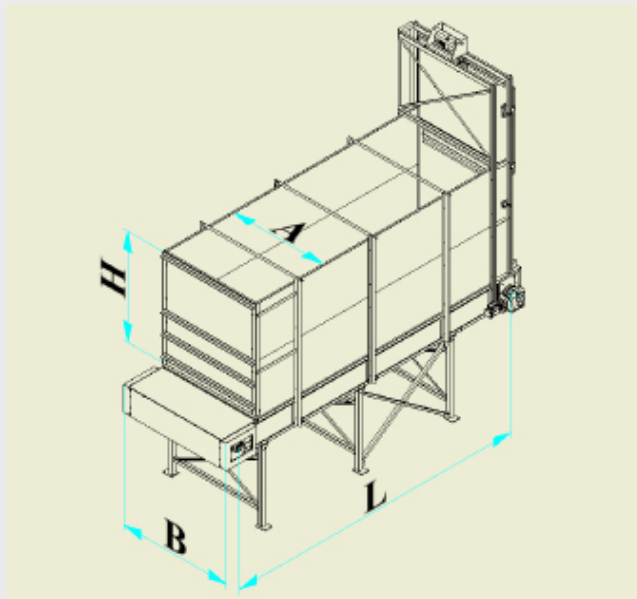
The slats are positioned at a predetermined distance and the rubber belt, bolted to the slats themselves, conveys the waste avoiding any loss of product.

- Sturdy modular construction in welded metal bars.
- Chains conform with DIN 8165, 125/200 mm pitch 50/70 mm roller with tensile strength from 80000 to 220000 N.
- Chains run on replaceable steel guides.
- EP400/3 oil resistant rubber belt
- 2000-3000 mm high sidewalls.
- Available width 1200-1400-1600-1800-2000-2400 mm.
- Automatic lubrication system.
- Full length can be inspected for easier maintenance.
- Lengths up to 30 m.



Dosing reels by the discharge side





TECHNICAL FEATURES STORAGE CONVEYOR

SILOS	1200	1400	1600	2000	2400
Available width A [mm]	1200	1400	1600	2000	2400
Overall dimensions B [mm] (excluding motor)	1480	1680	1880	2280	2680
Sidewalls height H [mm]	From 2000 mm to 2500 mm				



PARINI
TECNOLOGIA CHE FA LA DIFFERENZA

Parini Srl
Via S. D'Acquisto, 12 Albinea (RE),
42020 Italy

Tel.: +39.0522.59.99.90
Fax: +39.522.34.80.56

info@parinisrl.it
www.parinisrl.it

